

Con-Verse Hands-free Bluetooth® by Rostra

250-7500-SPK2 Universal Hands-free System

Vehicle Preparation	Page 1
Installation	Page 1
Troubleshooting	Page 1
System Layout	Page 2

Vehicle Preparation

Before beginning your installation, familiarize yourself with the installation instructions and the Con-Verse Hands-free system components.

To ensure your safety, **(A)** apply the emergency brake and **(B)** read this entire manual before beginning.



CAUTION: It is advisable to disconnect the negative battery cable for 3 minutes before beginning installation, to avoid unintended air bag deployment. Note and record any anti-theft radio codes prior to disconnecting.

Installation

Standalone System Installation

1. Connect the red **ACC** wire to a 12-volt accessory power source.
2. Connect the yellow **BAT** wire to a constant 12-volt power source.
3. Connect the black **GND** wire to a chassis ground point.
4. Connect the yellow with black stripe **MUTE** wire to the vehicle's mute (if present).
5. Connect the **FLSP+** and **FLSP-** to the positive and negative left speaker wires.
6. Connect the **FRSP+** and **FRSP-** to the positive and negative right speaker wires.
7. **FLAU+**, **FLAU-**, **FRAU+**, and **FRAU-** not used in this type of installation.

Audio System Interrupt Installation

1. Connect the red **ACC** wire to a 12-volt accessory power source.
2. Connect the yellow **BAT** wire to a constant 12-volt power source.
3. Connect the black **GND** wire to a chassis ground point.
4. Connect the yellow with black stripe **MUTE** wire to the vehicle's mute (if present).
5. Cut in half the left and right speaker positive and negative wires at the factory wiring harness of the vehicle.
6. Connect the **FLAU+** and **FLAU-** to the positive and negative left speaker wiring of vehicle harness.
7. Connect the **FLSP+** and **FLSP-** to the positive and negative wires connected to the vehicle's left speaker.
8. Connect the **FRAU+** and **FRAU-** to the positive and negative right speaker wiring of vehicle harness.
9. Connect the **FRSP+** and **FRSP-** to the positive and negative wires connected to the vehicle's right speaker.

Troubleshooting

System Does Not Power On With Ignition Switch In Accessory Or Start Position

Verify all electrical connections are secure. Check for blown fuse on Con-Verse power harness.

System Does Not Power Off When Ignition Is In Off Position

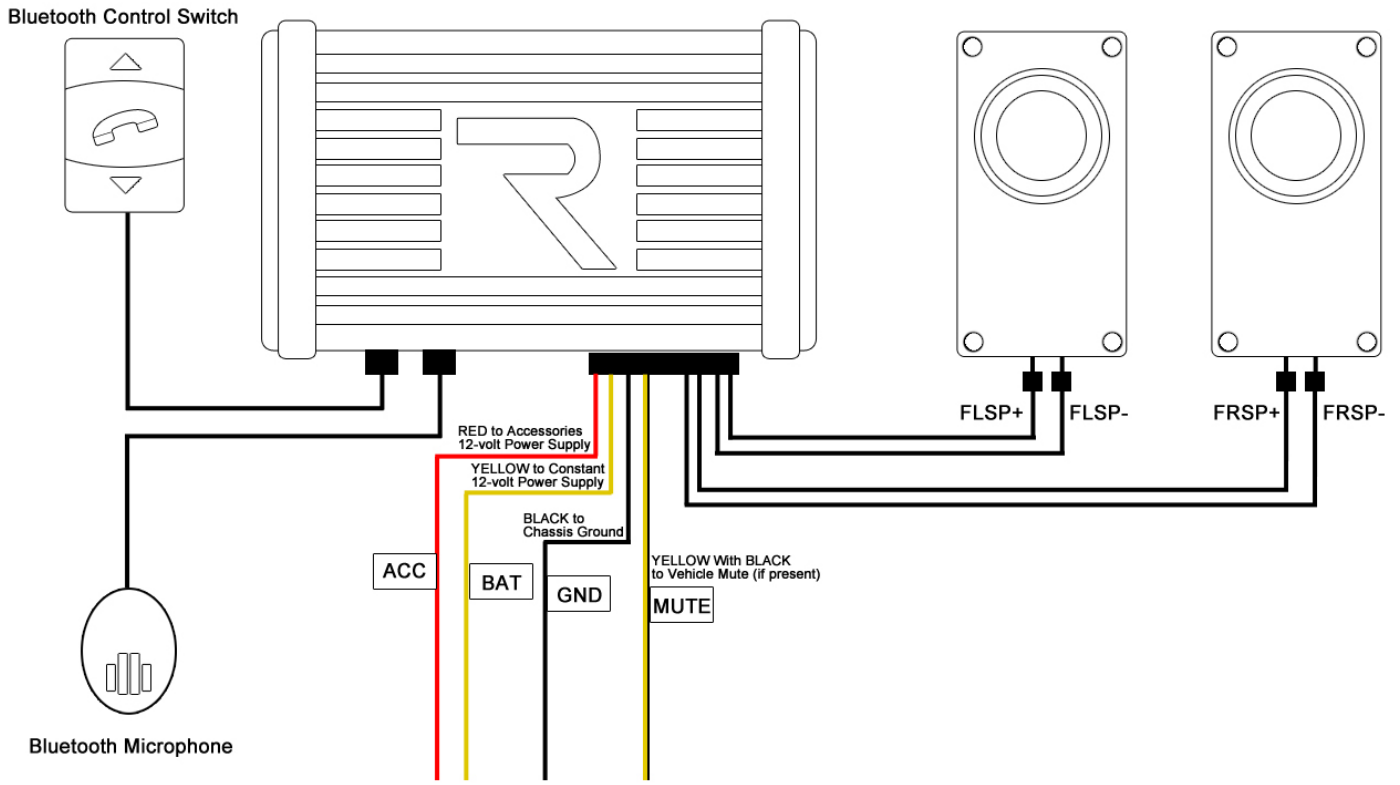
Check for constant power supplying red ACC wire. This wire should only receive power when vehicle is on.

Vehicle Speakers Do Not Mute

Verify connection of **FLAU+**, **FLAU-**, **FRAU+**, and **FRAU-** speaker interrupt wires (if used).

Form #5365, Rev. A, 10-10-12

Standalone System Connections



Audio System Interrupt Connections

