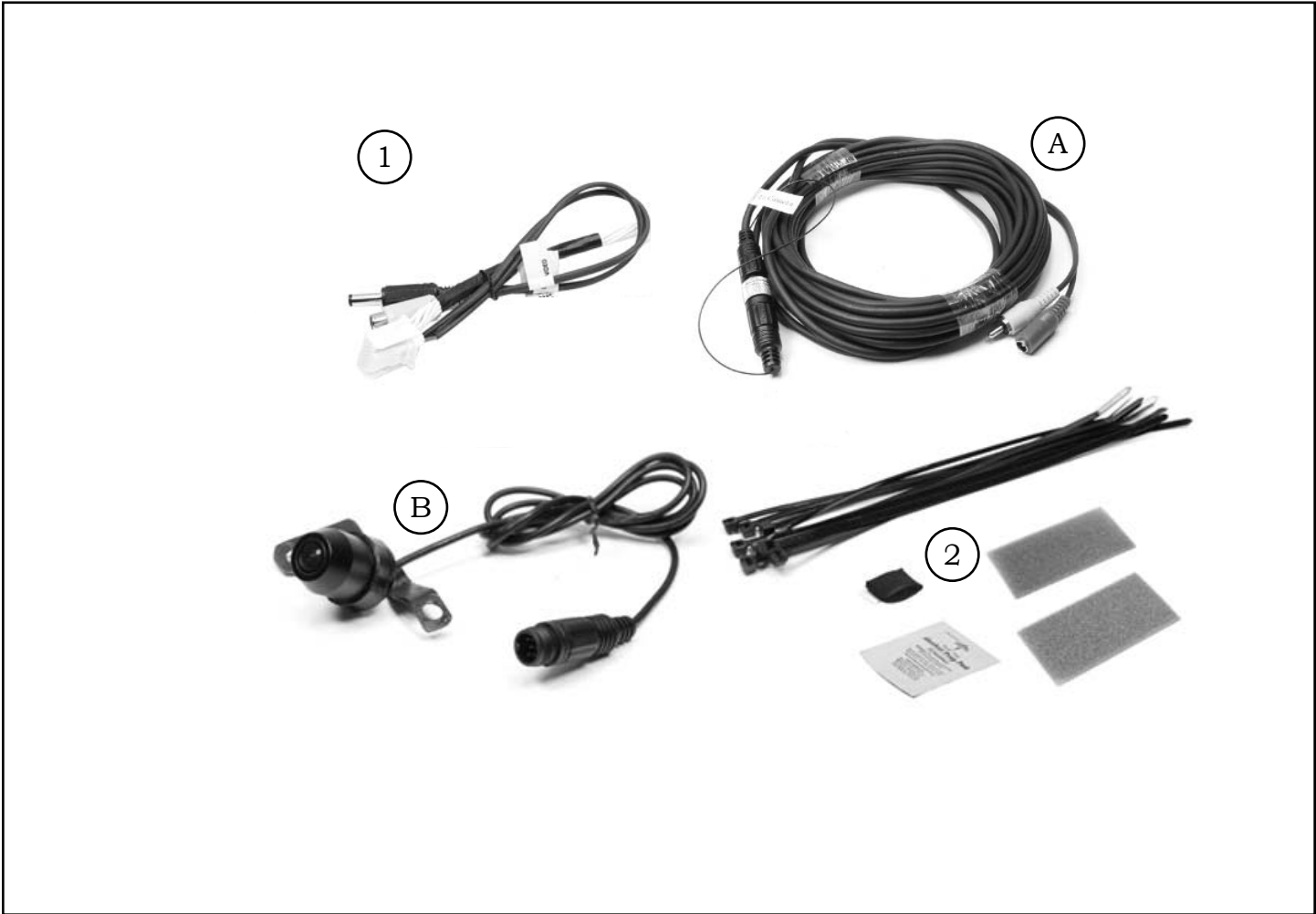


PARTS IDENTIFICATION

ITEM	QUANTITY	PART NUMBER	DESCRIPTION
1	1	2014-0016	INTERFACE ADAPTER HARNESS
A	1	250-8530	CAMERA EXTENSION HARNESS
B	1	250-8147	CCD REAR CAMERA ASSEMBLY
2	1	250-8598	SACK PARTS: TIE STRAPS, FOAM TAPE, SEALING PUTTY



***BEFORE** BEGINNING INSTALLATION, FAMILIARIZE YOURSELF WITH THE INSTALLATION INSTRUCTIONS AND THE **REARSIGHT™** BACK-UP CAMERA SYSTEM COMPONENTS.

VEHICLE PREPARATION



CAUTION: It is advisable to disconnect the negative battery cable for 3 minutes before beginning installation to avoid unintended air bag deployment. Note and record any anti-theft radio codes prior to disconnecting.



VEHICLE PREPARATION



1. Use a screwdriver with its tip wrapped in protective tape to disengage the 4 clips and remove the air conditioner control assembly. Disconnect all connectors.

FIGURE 1

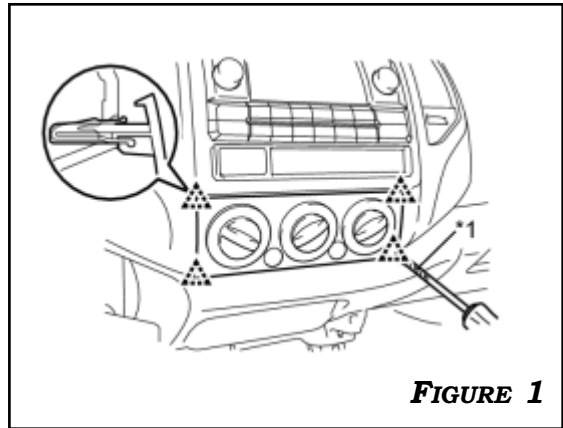


FIGURE 1

2. Remove 4 (10mm bolts) and disengage the 5 clips and remove the radio receiver assembly with bracket. Disconnect all connectors.

FIGURE 2

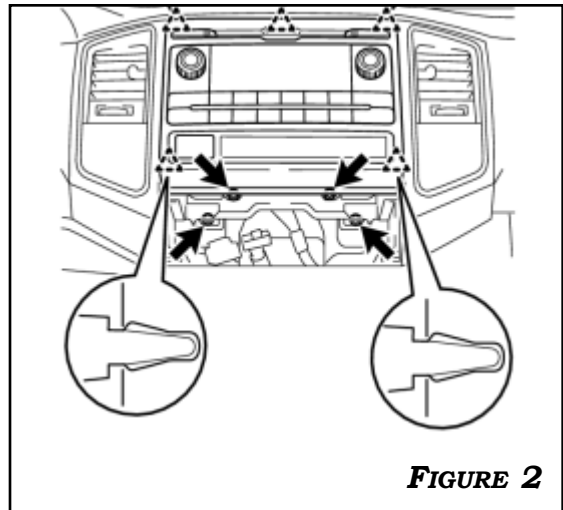


FIGURE 2

3. Disengage the 2 clips to remove the front driver side floor foot rest.

FIGURE 3

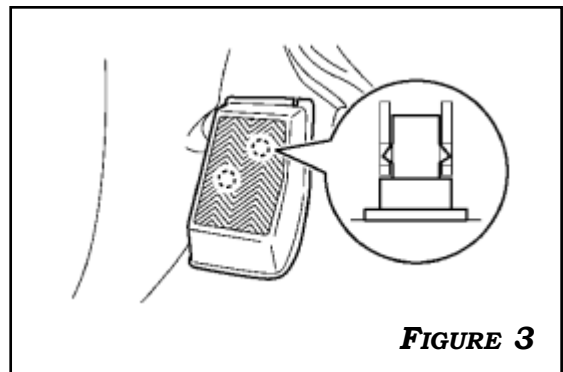


FIGURE 3

4. Disengage clips, and remove the front door scuff plate and kick panel.

FIGURE 4

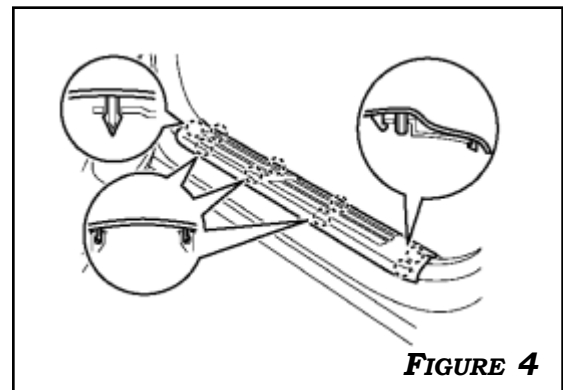


FIGURE 4

VEHICLE PREPARATION

VEHICLE PREPARATION CONTINUED...



5. USE A **T30** TORX SOCKET WRENCH TO REMOVE 7 SCREWS AND DISENGAGE CLIPS TO REMOVE THE TAIL GATE PROTECTOR. **FIGURE 5**

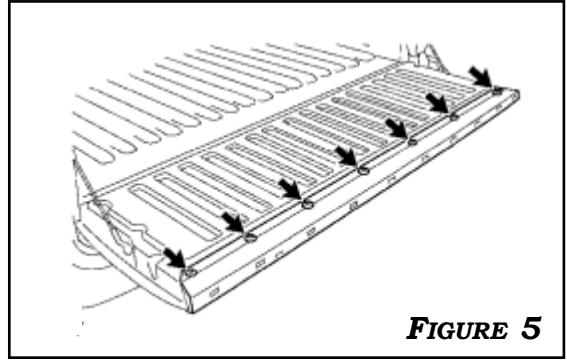


FIGURE 5

6. USE A **T30** TORX SOCKET TO RELEASE 8 SCREWS AND REMOVE THE TAILGATE SERVICE HOLE COVER. **FIGURE 6**

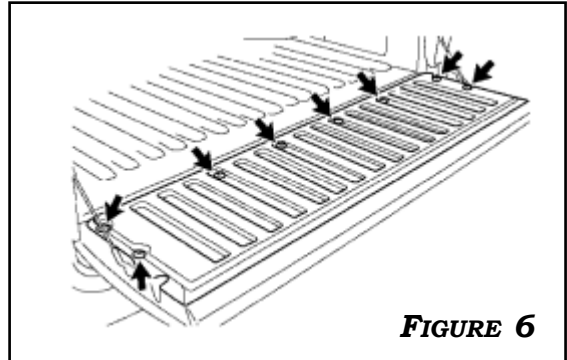


FIGURE 6

7. **DISCONNECT THE CONNECTOR AND REMOVE EXISTING WIRING CABLE IN TAILGATE.** REMOVE (2) 10MM BOLTS FROM DUMMY HOUSING. DISCARD DUMMY HOUSING. THE BOLTS WILL BE NEEDED LATER FOR THE CAMERA INSTALL. **FIGURE 7**

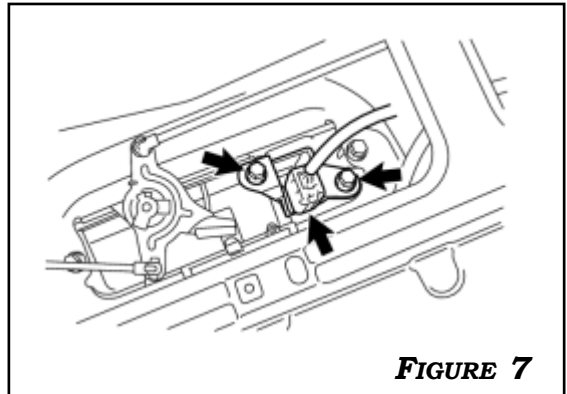


FIGURE 7

8. REMOVE EXISTING WIRING HARNESS FROM TAILGATE. **DO NOT DISCARD AS THE PROTECTIVE TUBING OF THE TAILGATE WIRING HARNESS WILL BE USED LATER FOR THE CAMERA EXTENSION HARNESS INSTALLATION.** **FIGURE 8**

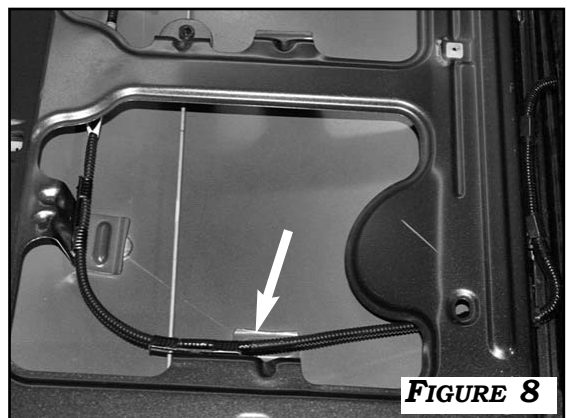


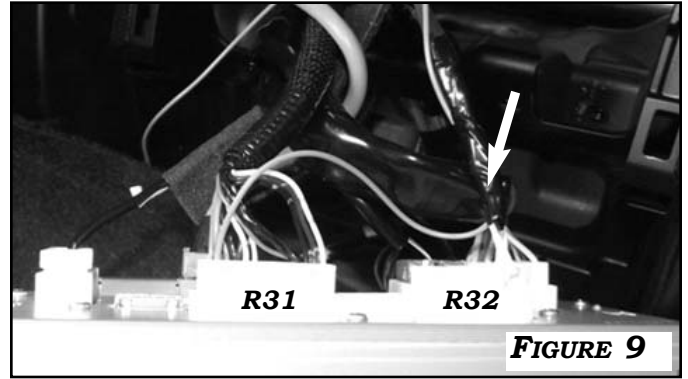
FIGURE 8

INSTALLATION

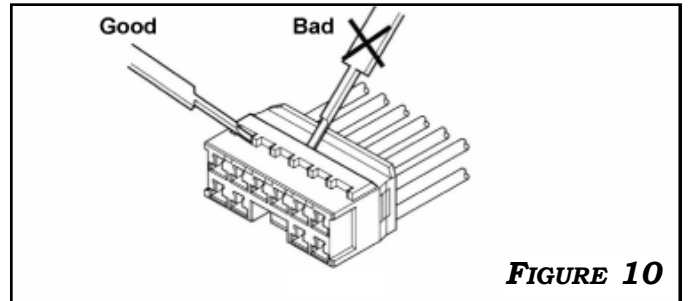
INSTALLING INTERFACE HARNESS



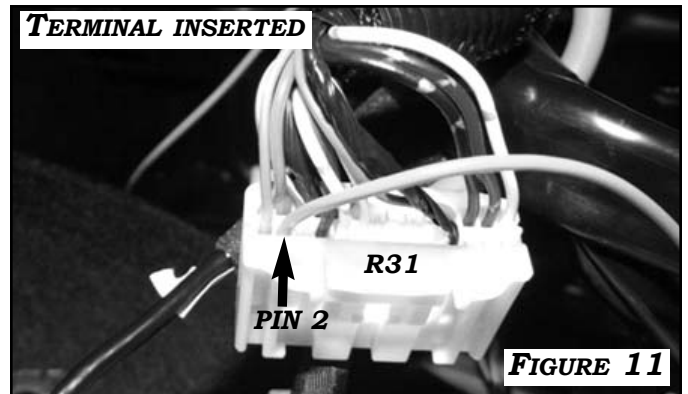
1. CONNECT THE **INTERFACE ADAPTER HARNESS** INTO RADIO RECEIVER CONNECTOR HOUSING **R32** AS SHOWN IN **FIGURE 9**.



2. LOCATE WHITE CONNECTOR **R31** FROM THE RADIO RECEIVER THAT CONNECTS BESIDE THE INTERFACE ADAPTER HARNESS CONNECTION. **BE SURE TO PULL OUT TERMINAL RETAINER AT THE CENTER OF CONNECTOR. FIGURE 10. INSERT TERMINAL FROM INTERFACE ADAPTER HARNESS INTO PIN 2 OF CONNECTOR R31. FIGURES 10 & 11**



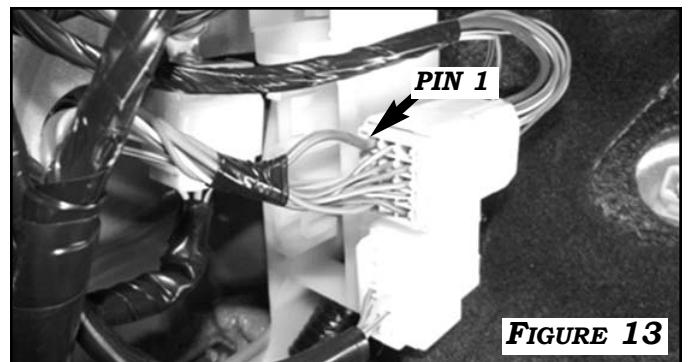
3. CAREFULLY LOCK THE TERMINALS INTO PLACE. PULL THE TERMINALS BACK GENTLY TO CHECK WHETHER IT IS LOCKED CORRECTLY. REASSEMBLE CONNECTOR AND PLACE BACK ONTO RADIO RECEIVER. **BE SURE RETAINER IS PRESSED IN BEFORE REINSTALLING.** SECURE HARNESS WITH WIRE TIES.



4. CONNECT **MALE RCA** VIDEO CONNECTOR OF CAMERA EXTENSION HARNESS TO **VIDEO** INPUT (YELLOW CONNECTOR) OF INTERFACE ADAPTER HARNESS. CONNECT **MALE DC** POWER CONNECTOR OF CAMERA EXTENSION HARNESS TO CAMERA **POWER** OUTPUT (BLACK CONNECTOR) OF INTERFACE ADAPTER HARNESS. WRAP ALL **RCA** AND **DC** CONNECTORS WITH THE FOAM TAPE PROVIDED. **FIGURE 12.** ROUTE CAMERA EXTENSION HARNESS AND GREEN WIRE FROM INTERFACE ADAPTER HARNESS TO THE DRIVER'S SIDE KICKPANEL AREA.



5. LOCATE GRAY CONNECTOR **ID2** AT THE DRIVER'S SIDE KICK PANEL AREA. CONNECT THE GREEN WIRE FROM THE INTERFACE ADAPTER HARNESS TO THE **RED** WIRE IN **PIN 1** OF CONNECTOR. **FIGURE 13**

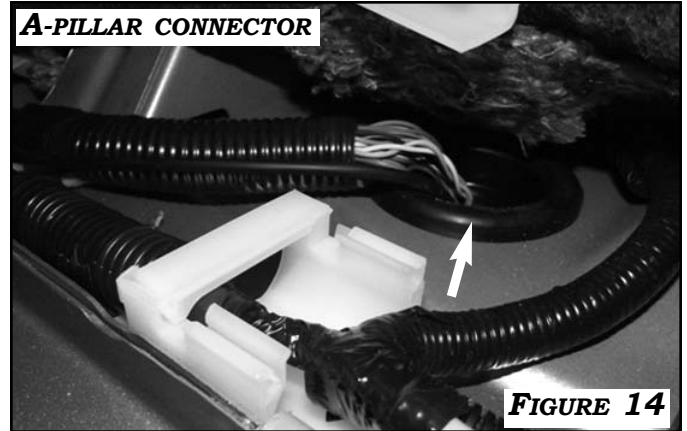


INSTALLATION

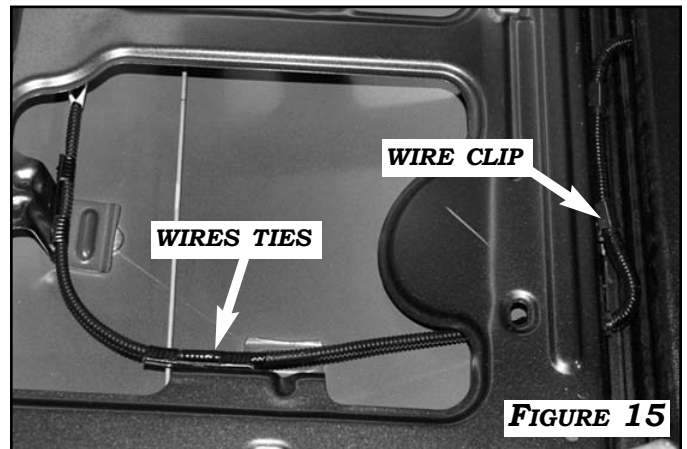
ROUTING HARNESS AND MOUNTING CAMERA



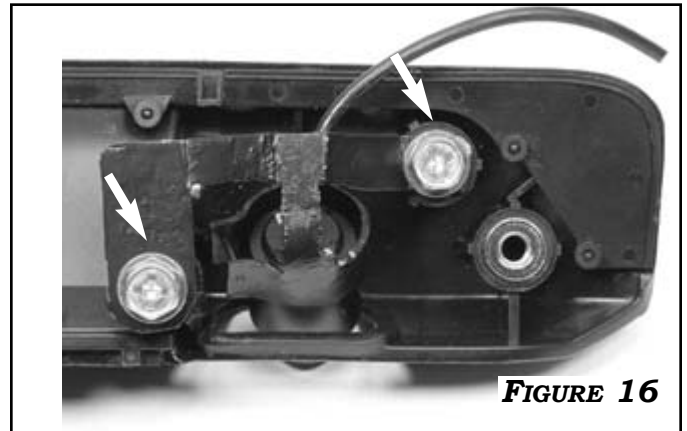
1. ROUTE THE CAMERA EXTENSION HARNESS TO SCUFF PLATE AREA AND THROUGH THE ACCESS GROMMET UNDERNEATH CARPET. USE THE EXISTING WIRING WITH WIRE CLIPS TO SECURE HARNESS. **FIGURE 14.** CONTINUE ROUTING THE HARNESS ALONG THE FRAME WIRING BELOW VEHICLE AND TO TAILGATE AREA.



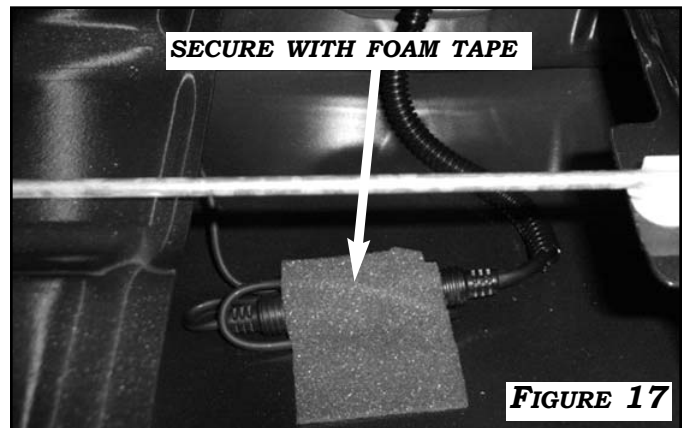
2. ROUTE THE CAMERA EXTENSION HARNESS THROUGH THE BED ACCESS HOLE. PULL THE CONNECTOR THROUGH, THEN INSERT INTO HOLE AT THE BOTTOM RIGHT SIDE OF THE TAILGATE. **USE EXISTING WIRE CLIP AND PREVIOUSLY REMOVED PROTECTIVE TUBING FROM WIRING HARNESS WHEN ROUTING THE CAMERA EXTENSION HARNESS THROUGH TO TAILGATE.** USE THE EXISTING HARNESS CLIPS AND WIRE TIES TO SECURE HARNESS AT THE BOTTOM OF THE TAILGATE. **FIGURE 15**



3. USE THE PREVIOUSLY REMOVED (2) 10MM BOLTS TO MOUNT CAMERA ASSEMBLY AND BRACKET TO LATCH. **FIGURE 16**



4. CONNECT THE CAMERA EXTENSION HARNESS TO THE VEHICLE CAMERA CONNECTOR IN THE TAILGATE AS SHOWN IN **FIGURE 17.** SECURE THE CONNECTOR TO THE TAILGATE WITH FOAM TAPE TO PREVENT RATTLES.



TESTING AND REASSEMBLY

TESTING



1. RECONNECT NEGATIVE BATTERY CABLE AND TORQUE TO **3 FT LBS**. RE-ENTER ANY THEFT DETERRENT INFORMATION IF APPLICABLE.



2. TURN THE IGNITION SWITCH **ON**. PUT THE VEHICLE IN REVERSE. VERIFY THAT THE RADIO DISPLAY IS ON AND THAT THE CAMERA'S PICTURE APPEARS.

3. IF THERE IS NO PICTURE, VERIFY ALL CONNECTIONS ARE SECURE.

REASSEMBLY



1. REINSTALL ALL TRIM PIECES TAKING SPECIAL CARE TO ENSURE HARNESES AND WIRING CONNECTIONS ARE PROPERLY SECURED.

2. BE SURE HARNESS IS NOT PINCHED OR BOUND BY TRIM PIECES.

3. PLACE THE OWNER'S CARD IN THE GLOVE BOX.

4. RECONNECT ALL DISCONNECTED BULBS AND CHECK FOR FUNCTION.



FIGURE 18

