

COROLLA

2005-2008 TOYOTA COROLLA/MATRIX

OE-STYLE CRUISE CONTROL SWITCH INSTALLATION INSTRUCTIONS PART No. 250-1768

**FEATURES TOYOTA -OE STYLE
SWITCH WITH INTERNATIONAL
GRAPHICS FOR CRUISE CONTROL!**

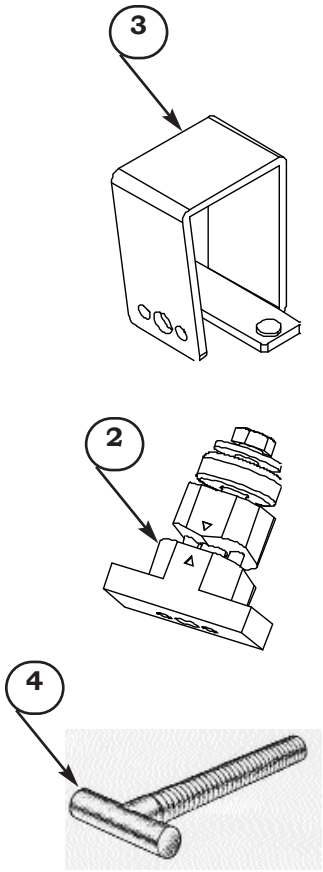


CONTENTS

PARTS IDENTIFICATION	2
HELPFUL HINTS	3
INSTALLATION	4
WIRING DIAGRAM	14
TROUBLESHOOTING GUIDE	15
OPERATING INSTRUCTIONS	16

PARTS IDENTIFICATION

ITEM	QUANTITY	PART NUMBER	DESCRIPTION
1	1	250-1768	CONTROL SWITCH ASSEMBLY
2	1	250-2598	TOOL, CUT, SWITCH HOLE (OPTIONAL-SOLD SEPARATELY)
3	1	250-2599	TOOL, TEMPLATE, SWITCH HOLE (OPTIONAL-SOLD SEPARATELY)
4	1	250-2600	TOOL, EXTRACTION, SWITCH DIE (OPTIONAL-SOLD SEPARATELY)



INSTALLATION

CONTROL SWITCH

LOCATION: RIGHT SIDE STEERING WHEEL COVER

HARDWARE: USE CUTTING TOOLS 250-1598, 250-1599 & 250-1600 OR TEMPLATE INSTRUCTIONS.

1. REMOVE LOWER STEERING COLUMN COVER; THIS REQUIRES REMOVAL OF THREE (3) PHILIPS SCREWS.

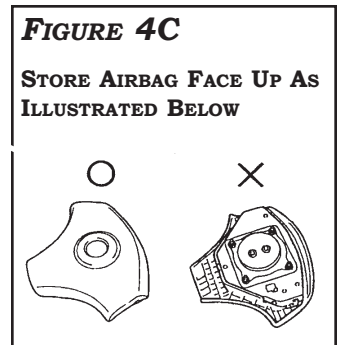
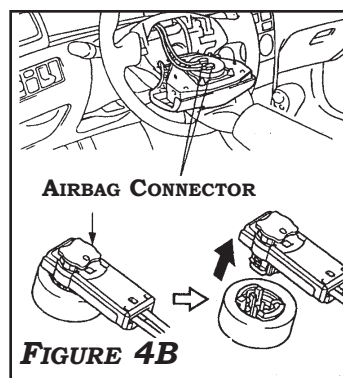
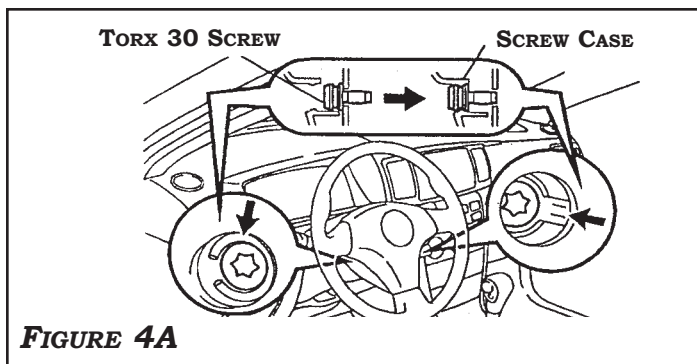
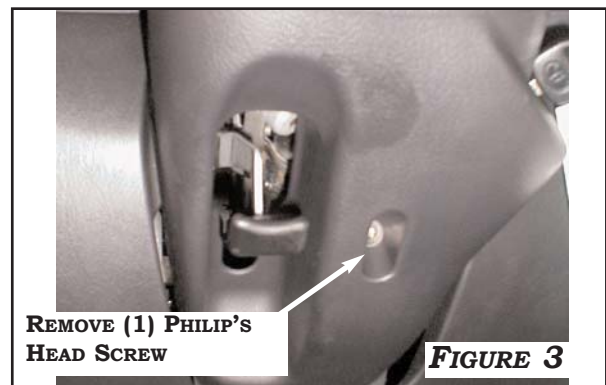
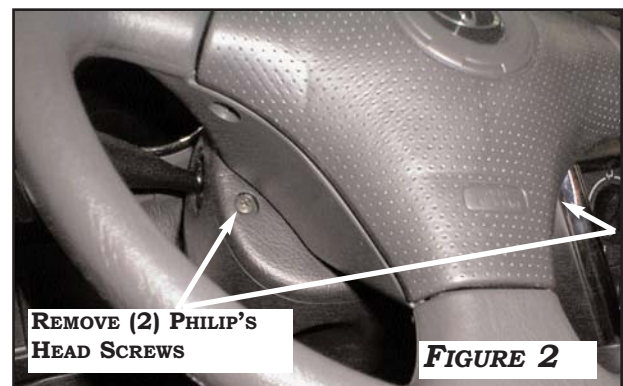
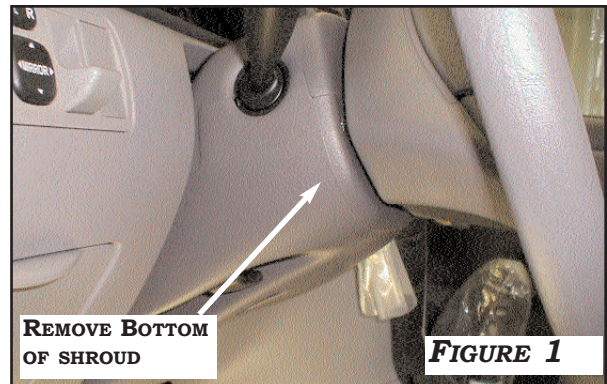
FIGURES 1, 2 & 3.

CAUTION: ENSURE THAT BATTERY HAS BEEN DISCONNECTED FOR MORE THAN 90 SECONDS PRIOR TO REMOVAL OF AIRBAG; FAILURE TO HEED THIS WARNING MAY RESULT IN AIRBAG DISCHARGE AND MAY CAUSE SERIOUS INJURY OR DEATH.

2. REMOVE AIRBAG BY EXTRACTING THE TWO 30 TORX SCREWS AS ILLUSTRATED IN **FIGURE 4A.**

3. UTILIZE SMALL SCREWDRIVER TO REMOVE AIRBAG CONNECTORS AS ILLUSTRATED IN **FIGURE 4B.**

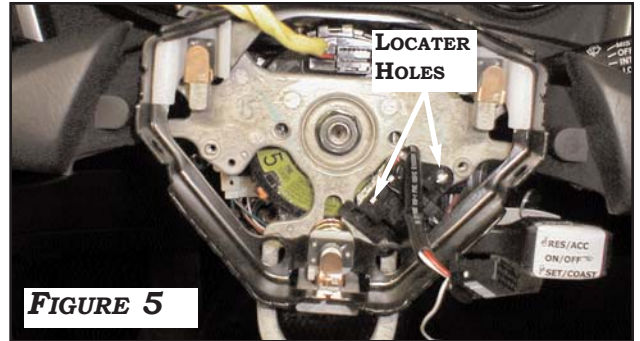
CAUTION: BE SURE TO STORE AIRBAG FACE UP AS ILLUSTRATED IN FIGURE 4C TO REDUCE INJURY IN EVENT OF ACCIDENTAL DISCHARGE OF AIRBAG.



INSTALLATION

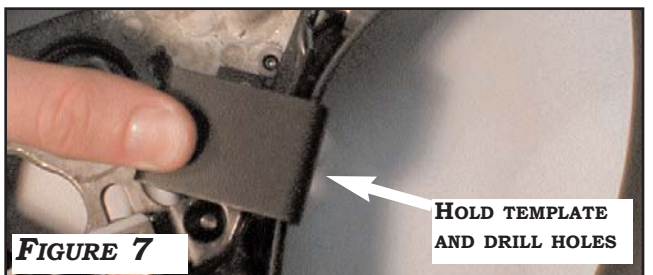
CONTROL SWITCH CONTINUED

4. USING THE **SWITCH HOLE CUTTING TEMPLATE, 250-2599**, PLACE THE LOCATER TABS INTO OE CRUISE SWITCH MOUNTING HOLES AND DRILL ONE (1) **5MM (13/64")** HOLE AND TWO (2) **8MM (11/32")**. **FIGURES 6 & 7**



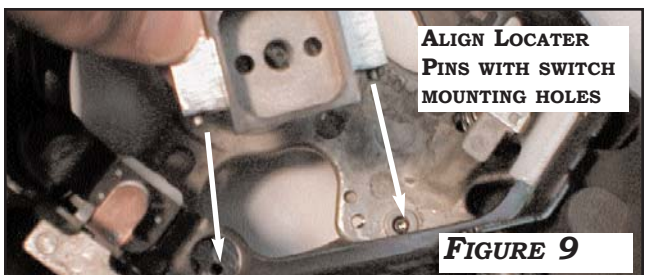
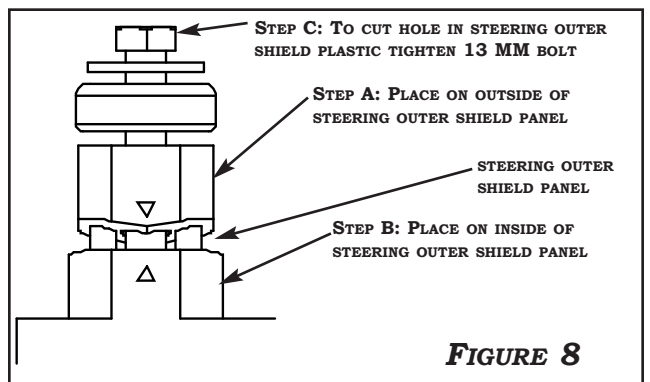
5. USING THE **SWITCH HOLE CUTTING TOOL, 250-2598**, PLACE THE LOCATER TABS INTO OE CRUISE SWITCH MOUNTING HOLES AND WITH 13MM SOCKET, TIGHTEN THE SCREW UNTIL PLASTIC HOLE IS CUT OUT. **FIGURES 8, 9 & 10.**

ENSURE THAT THE MARKS INDICATING THE TOP OF THE CUTTING TOOL ARE FACING UP; THE ANGLE ON THE TOOL SHOULD SILOUETTE THE CURVES OF THE STEERING SHROUD. **FIGURES 8, 9 & 10.**



6. SOMETIMES THE CUTTING DIE MAY GET LODGED IN THE STEERING SHROUD MATERIAL; IN THIS CASE, UTILIZE THE CUTTING EXTRACTION TOOL, **250-2600**, TO REMOVE DIE.

THREAD T-BOLT INTO DIE AS SHOWN IN **FIGURE 11** AND PULL TO REMOVE DIE FROM STEERING SHROUD.



INSTALLATION

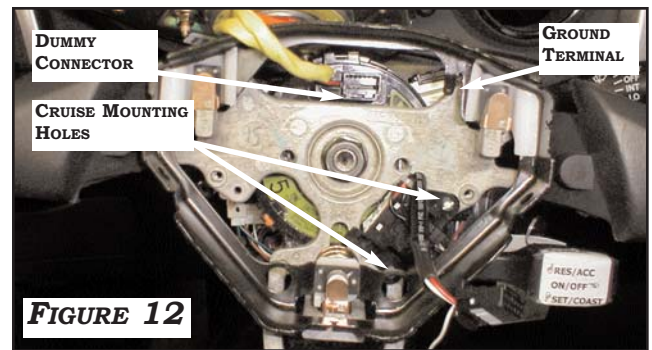
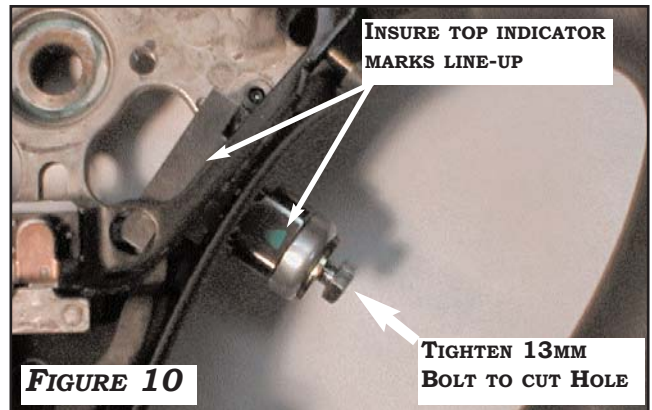
CONTROL SWITCH CONTINUED

7. MOUNT CRUISE CONTROL SWITCH WITH TWO (2) TORX 15 SCREWS PROVIDED. REMOVE GROUND TERMINAL AND DUMMY HORN/CRUISE CONNECTOR FROM STEERING WHEEL AND DIS CARD. PLUG IN CRUISE SWITCH CONNECTOR ENSURING TO RECONNECT GROUND TERMINAL. **FIGURE 6 & 12**

8. REINSTALL AIRBAG.

9. UTILIZING INTERFACE CONNECTORS ON MAIN CRUISE HARNESS, MAKE INTERFACE CONNECTION TO HORN/CRUISE CONNECTOR LOCATED AT STEERING SLIP-RING NEAR SWITCH LOCATION AS SHOWN IN **FIGURE 13**.

10. REINSTALL TWO (2) PIECE STEERING WHEEL SHROUD.



REASSEMBLY

1. RECONNECT NEGATIVE BATTERY CABLE AND TORQUE TO 3 FT LBS.

