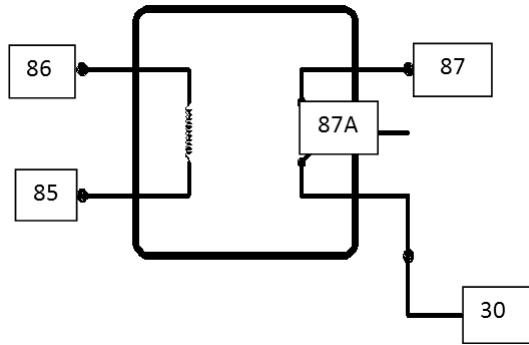


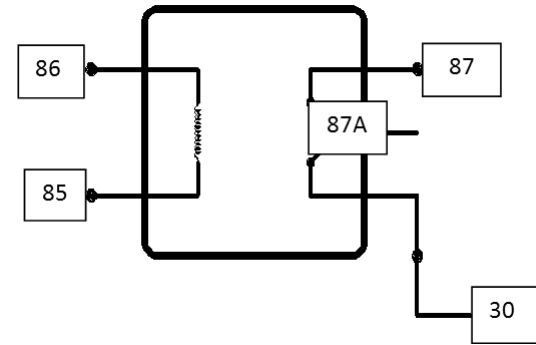
250-4382 5-Wire Relay Wiring Diagram



Relay Terminal	Relay Wire Color	Function Description
86	Black	Chassis Ground
85	Orange	Brake (Cold Side) To Vehicle
87	Green	Not used
87A	Violet	Brake to Cruise (Cold Side)
30	Blue	Chassis Ground

Form #5260, Rev. A, 05-16-11

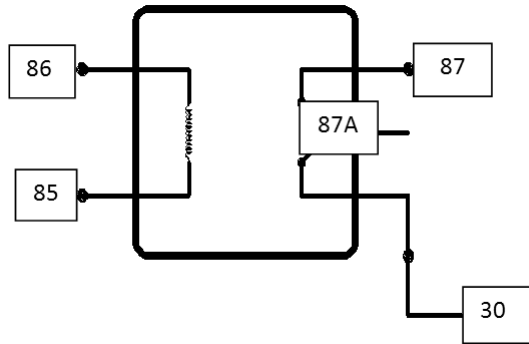
250-4382 5-Wire Relay Wiring Diagram



Relay Terminal	Relay Wire Color	Function Description
86	Black	Chassis Ground
85	Orange	Brake (Cold Side) To Vehicle
87	Green	Not used
87A	Violet	Brake to Cruise (Cold Side)
30	Blue	Chassis Ground

Form #5260, Rev. A, 05-16-11

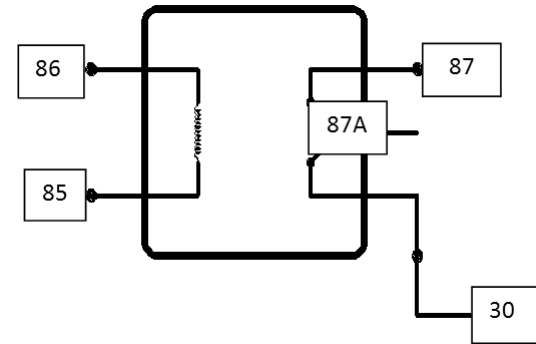
250-4382 5-Wire Relay Wiring Diagram



Relay Terminal	Relay Wire Color	Function Description
86	Black	Chassis Ground
85	Orange	Brake (Cold Side) To Vehicle
87	Green	Not used
87A	Violet	Brake to Cruise (Cold Side)
30	Blue	Chassis Ground

Form #5260, Rev. A, 05-16-11

250-4382 5-Wire Relay Wiring Diagram



Relay Terminal	Relay Wire Color	Function Description
86	Black	Chassis Ground
85	Orange	Brake (Cold Side) To Vehicle
87	Green	Not used
87A	Violet	Brake to Cruise (Cold Side)
30	Blue	Chassis Ground

Form #5260, Rev. A, 05-16-11